



BER-MAR

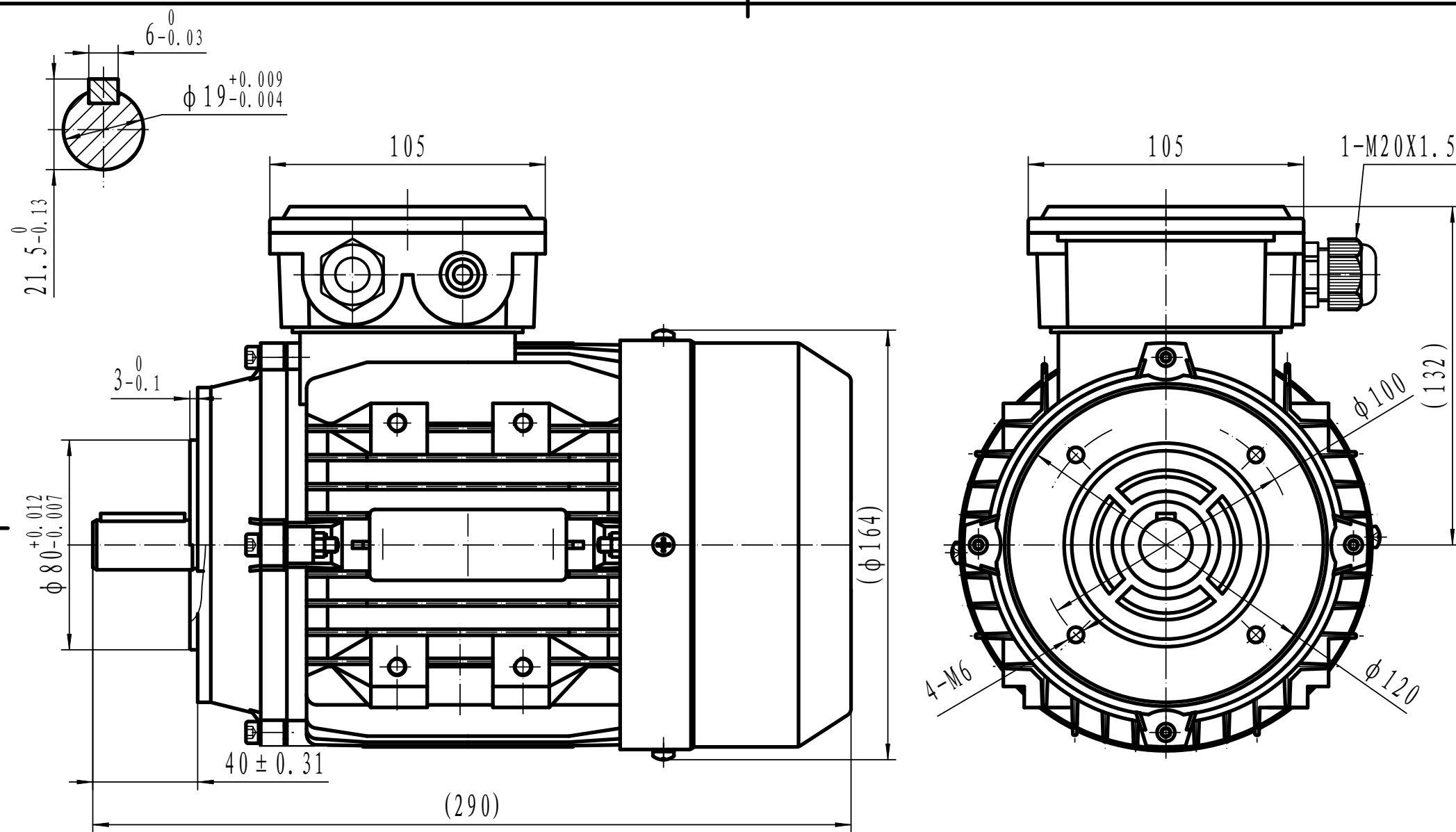
ELECTRIC MOTORS BLOWERS AND DRIVES

General data	
Frame size	80
Housing material	Aluminum
Install model	According to the standard
Type of feet	Removable feet
Net weight	11.1 kg
Insulation class	F (Standard) H (Optional)
Protection degree	IP 55 (Standard) IP 56 (Optional)
Thermal protection	Without (Standard) Customizable (Optional)
Rotation direction	Clockwise (Standard) Counter clockwise (Optional)
Service duty	S1
Vibration level	A
Balance	Half-key balanced
Cable glands	1 - M20 × 1.5
Cooling	IC 411
Painting color	Customizable (Standard) (Optional)
Regulations	IEC / DIN / ISO / VDE / EN
Standard	IEC 60034

Environmental conditions	
Ambient temperature	From -20°C to +40°C
Maximum altitude	1000 m above sea level

Electrical data		
Output	0.75	kW
Frequency	50	Hz
Voltage (±5%)	230 400 276 480	V Δ @ 50Hz V Y @ 50Hz V Δ @ 60Hz V Y @ 60Hz
Rotation speed	1410 1692	RPM @ 50Hz RPM @ 60Hz
Rated current	3.1 1.79	A (In) @ Δ 50Hz A (In) @ Y 50Hz
Starting current	5.8	×In
Rated torque	5.08	Nm (Mn)
Starting torque	2.2	×Mn
Breakdown torque	2.5	×Mn
Efficiency	79.6 80.8 79.6	IE2 @ 100% load @ 75% load @ 50% load
Power factor cosφ	0.76	@ 100% load

Mechanical data		
Bearings brand	C&U Customizable	(Standard) (Optional)
Bearings type	6204 2RZ C3 6204 2RZ C3	(DE) (NDE)
Lifetime of bearings		20000 hours
Allowed radial load Allowed axial load		761.79 N 629.02 N
Grease type		
Lubrication interval of NDE bearing Lubrication interval of DE bearing		h h
Moment of inertia	0.001952112	Kg*m ²
Noise level	58	dB(A)



MS2 802-4-B14